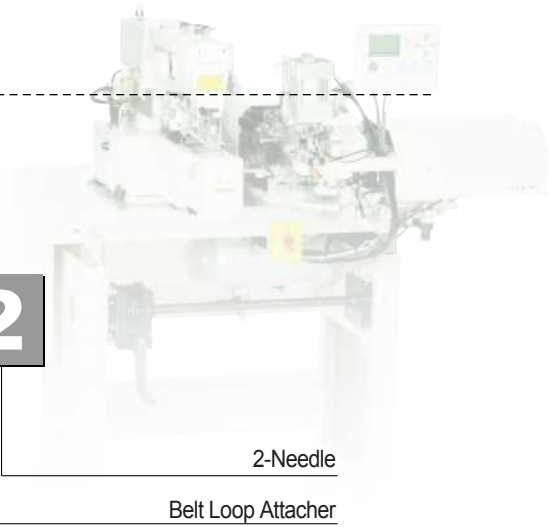




# SJS/A-BA2 Direct-Drive, Automatic 2-Needle Belt Loop Sewing Machine



## SJS / A - BA 2

Sunstar

Jean

System

Series

2-Needle

Belt Loop Attacher

## Specification

Model	SJS/A-BA2
Max Sewing Speed	Max.2,800spm
Belt Loop Length	30~85mm
Belt Loop Width	8-22mm
Sewing Area(X,Y)	X:22mm,Y:3.2mm
Stitch Length	0.1~10mm
Needle	MR4.0, 4.5
Hook	Double-Capacity Rotary Hook
Presser Foot Lift	Up to 21mm
Memory	P-ROM
Number of Patterns	Max.99 Patterns
Motor Specifications	550W AC Servo Motor
Feed System	Pulse motor
Pneumatic Pressure in Use	0.5Mpa (5kgf/cm2)
Power Supply	1-Phase: 100~240V, 3-Phase: 200~440V, 50/60Hz

\* Specifications and appearance are subject to change for the improvement of products without prior notice.



## SUNSTAR MACHINERY CO., LTD.

### TRADE OFFICE

# 178-212, GAJWA - DONG, SEO - KU, INCHEON, KOREA  
TEL : (82 - 32) 580 - 5740 ~ 60 FAX : (82 - 32) 584 - 3025 ~ 6

### WEB-SITE

<http://www.sunstar.co.kr>

### E-MAIL

[sunstar@sunstar.co.kr](mailto:sunstar@sunstar.co.kr)  
[fortuna@sunstar.co.kr](mailto:fortuna@sunstar.co.kr)

### OVERSEAS NETWORK

SUNSTAR MACHINERY (SHANGHAI) CO.,LTD.  
TEL : 86 21 6957 6311 FAX : 86 21 6957 6312

SUNSTAR MACHINERY (SHANGHAI) CO.,LTD. SHANGHAI BRANCH  
TEL : 86 21 6353 2233 FAX : 86 21 6353 8640

SUNSTAR QINGDAO BRANCH  
TEL : 86 532 482 2236 FAX : 86 532 481 1262

SUNSTAR NANJING BRANCH  
TEL : 86 25 464 7389 FAX : 86 25 464 7389

SUNSTAR HANGZHOU BRANCH  
TEL : 86 571 8704 4709 FAX : 86 571 8601 6046

SUNSTAR TIANJIN BRANCH  
TEL : 86 22 2445 8882 FAX : 86 22 2445 2400

### OVERSEAS NETWORK

SUNSTAR HONGKONG LTD.  
TEL : 852 2729 7078 FAX : 852 2729 7573

SUNSTAR GUANGDONG BRANCH  
TEL : 86 769 249 1610 FAX : 86 769 234 4042

SUNSTAR FUJIAN BRANCH  
TEL : 86 595 8859 8871 FAX : 86 595 8859 8872

SUNSTAR U.S.A INC.  
TEL : 1 305 591 9596 FAX : 1 305 591 0661

SUNSTAR HOCHIMINH BRANCH OFFICE  
TEL : 84 8 592 3703 (883 3596) FAX : 84 8 592 3704

SUNSTAR HANOI BRANCH OFFICE  
TEL : 84 4 783 1446 FAX : 84 4 783 1447

SUNSTAR JAKARTA BRANCH OFFICE  
TEL : 62 21 4586 5839 FAX : 62 21 4586 5840

SUNSTAR MACHINERY(SINGAPORE)  
TEL : 008 65 6341 5015 FAX : 008 65 6341 5016

SUNSTAR SAO PAULO OFFICE  
TEL : 55 11 3362 3434, 3337 2194 FAX : 55 11 3362 3444

### SUNSTAR MACHINERY EUROPE G.M.B.H

TEL : 43 2236 660 229 FAX : 43 2236 660 2293

SUNSTAR NEW DELHI OFFICE  
TEL : 91 124 280 3006 FAX : 91 124 280 3007

SUNSTAR BANGALORE OFFICE  
TEL : 91 80 5126 3677 FAX : 91 80 5126 3126

SUNSTAR CHENNAI OFFICE  
TEL : 91 44 5232 1189 FAX : 91 44 5232 1189

SUNSTAR MACHINERY (THAILAND) CO., LTD.  
TEL : 66 2 683 0088 FAX : 66 2 683 0089



## [www.SewTrain.com](http://www.SewTrain.com)

## Collier Equipment Co.

100 Mill Creek Circle / PO Box 175  
Lexington, AL 35648

Ph: (256) 229-6595 <> Fx: (256) 229-6779

Email: [Parts@CollierEquipment.com](mailto:Parts@CollierEquipment.com)



Direct-Drive, Automatic  
2-Needle Belt Loop Sewing Machine

# SJS/A-BA2



**SunStar**<sup>®</sup>